



& ASSOCIATES, INC.

TAD-MMB *Metal Mounting Bracket*

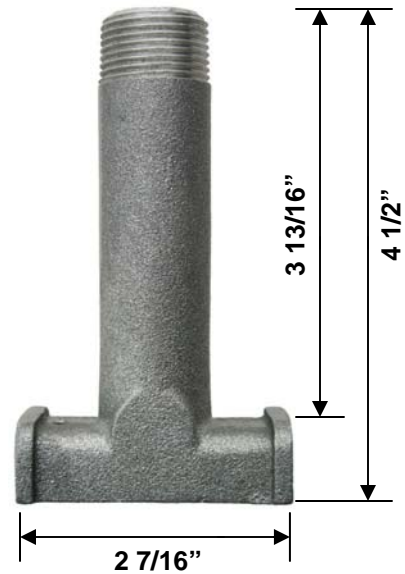


Description

The **TAD-MMB** is a 3/4" NPT metal mounting bracket and is for use with PL-1 power connection kits when equipped with a 1" to 3/4" bell reducer (not supplied). The **TAD-MMB** may also be configured with other approved junction box assemblies. The **TAD-MMB** is made of sturdy cast aluminum and is ideal for use in normal and hazardous area locations. In addition, the **TAD-MMB** has 1/8" threading near the base for ground connections.

Features

- Cast aluminum gives sturdy support for junction boxes.
- Explosion proof
- Can be used with other approved junction boxes.
- 3/4" NPT diameter



Accessories

PL-1	Power Connection Kit
PL-2	Power Connection Kit
PS-3	1" - 3" Pipe Straps
PS-15	2" - 14" Pipe Straps

Applications

- Constant Wattage Heater Cables
- Self Limiting Heater Cables
- Mineral Insulated Heater Cables

TAD & Associates, Inc.
P.O. Box 2170
Canyon Lake, Texas 78133

Phone: 830.964.4435
Fax: 830.964.4493
<http://www.tad-associates.com>